

CHANGE/ERRATA INFORMATION

ISSUE NO: 3

3/89

This change/errata contains information necessary to ensure the accuracy of the following manual. Enter the corrections in the manual if either one of the following conditions exist:

1. The revision letter stamped on the indicated PCB is equal to or higher than that given with each change.
2. No revision letter is indicated at the beginning of the change/errata.

MANUAL

Title: 9000A-Z80 Interface Pod
Print Date: June 1981
Rev. and Date: ---

C/E PAGE EFFECTIVITY

Page No. Print Date

1	6/83
2	6/83
3	6/83
4	6/83
5	6/83
6	3/89

CHANGE #1 - 15239, 15430

Rev.-D, E, A12 280 Interface PCB Assembly (9000A-280-4072T)

On pages 6-8 and 6-9, Table 6-3:

Change the TOT QTY of A12A1,

FROM: 5

TO: 4

CHANGE: A12A5|HYBRID, PROTECTION CIRCUIT|583021|89536|583021|REF
 TO: A12A5|HYBRID, PROTECTION CIRCUIT|582270|89536|582270|1

Change the TOT QTY of C1,

FROM: 10

TO: 11

ADD: C13|CAP, TA, 10 UF +/-20%, 15V
 |193623|56289|196D106X0015A1|REF

C15|CAP, TA, 10 UF +/-20%, 15V
 |193623|56289|196D106X0015A1|REF

CHANGE: C9|CAP, TA, 1 UF +/-20%, 35V |161919|56289
 |196D010X0035G |1

TO: C9|CAP, CER, 0.22 UF +/-20%, 35V|519157|51406
 |RPE11Z5U224M50V|REF

ADD: CR6|DIODE, SI, HI-SPEED SWITCHING|313247|28480|HP5082-6264|1

CHANGE: R4|RES, DEP. CAR, 12K +/-5%, 1/4W
 |348847|80031|CR251-4-5P12K|1

TO: R4|RES, DEP. CAR, 1.2K +/-5%, 1/4W
 |441378|80031|CR251-4-5P1K2|1

ADD: R8|RES, DEP. CAR, 820 +/-5%, 1/4W
 |442327|80031|CR251-4-5P820E|1

R9|RES, DEP. CAR, 3K +/-5%, 1/4W|441527|80031|CR251-4-5P3K|1

Change the TOT QTY of XU1,

FROM: 3

TO: 8

ADD: XU2, XU4, XU6, XU8 and XU9|SOCKET, IC, 20-PIN
 |454421|01295|C932002|REF

On page 6-11/6-12, Figure 6-3, make the additions listed above to the A12 reference designator drawing as shown in Figure 1.

On pages 7-4 and 7-5/7-6, Figure 7-2, change the A12 schematic drawing as shown in Figure 2, and change the value of R4,

FROM: 12k

TO: 1.2k

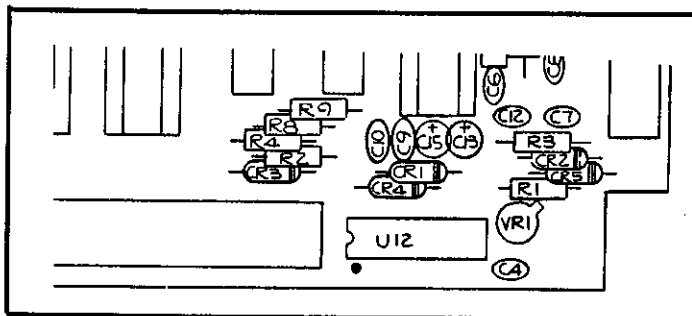


Figure 1.

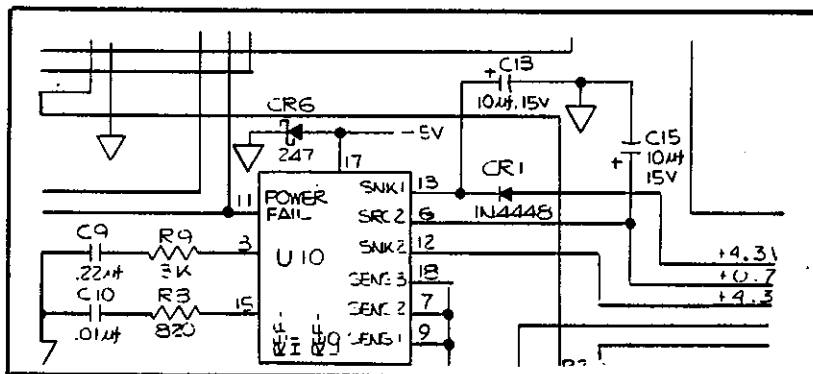


Figure 2.

CHANGE #2 - 15464

Rev.-A, Final Assembly (9000A-Z80-5071)

On page 6-3, Table 6-1:

ADD: MP7|LABEL, STATIC CAUTION|605808|89536|605808|1
 MP8|LABEL, UUT CAUTION|634030|89536|634030|1

CHANGE #3 - 15994, 15996

Rev.-D, A22 Processor PCB Assembly (9000A-Z80-4071T)

On page 6-5, Table 6-2:

CHANGE: U2| IC, MOS, N-CHANNEL, 16K ROM|536581|89536|536581|1|1
 TO: U2|EPROM V1.1 |540351|89536|540351|1|1

CHANGE #4 - 16246, 16414, 16441

Rev.-E, A22 Processor PCB Assembly (9000Z-Z80-4071T)

On pages 6-5 and 6-6, Table 6-2:

CHANGE: P1|CONNECTOR, AMP PIN |513879|00779|4-870221 |60
 TO: P1|CONNECTOR, POST, GOLD|649681|00779|3-87022-2|60

Change the TOT QTY for R2,

FROM: 1
 TO: 2

CHANGE: R3|RES, DEP. CAR, 1K +/-5%, 1/4W|343426|80031|CR251-4-5P1K|1
 TO: R3|RES, COMP, 4.7K +/-5%, 1/4W |348821|01121|CB4725|REF

CHANGE: R4|RES, DEP. CAR, 51 +/-5%, 1/4W|414540|80031|CR251-4-5P51E|1
 TO: R4|RES, DEP. CAR, 1 +/-5%, 1/4W |357665|80031|CR251-4-5P1E |1

CHANGE: U11|IC, TTL, QUAD, 2-INPUT, POS NAND GATE|393033|01295
 |SN74LSOON'1|1
 TO: U11|IC, TTL, QUAD, 2-INPUT NAND GATE |654210|12040
 |DM74LSOON|1|1

On page 7-2, Figure 7-3, change the values of R3 and R4,

FROM: 1k and 51
 TO: 4.7k and 1

CHANGE #5 - 17275

Rev.-B, Final Assembly (9000A-Z80-5071)

On page 6-3, Table 6-1:

Change the TOT QTY of H1,

FROM: 2
 TO: 3

ADD: MP9|9000A POD ACCESSORIES|613885|89536|613885|1
 -CABLE, UUT
 -LABEL, UUT CAUTION
 -PLASTIC BAG
 -SOCKET, DIP 40-PIN

ADD: MP10|RETAINING CLIP|583260|89536|583260|1

CHANGE: W2|CABLE, UUT|585141|89536|585141|1
 TO: W2|CABLE, UUT|685461|89536|685461|1

On page 6-4, Figure 6-1, add H1 and MP10 as shown in Figure 3.

CHANGE #6 - 17350

Rev.-G, A12 Interface PCB Assembly (9000A-Z80-4072T)

On page 1-4, Table 1-1, make the following changes:

CHANGE: Current +20 uA
 TO: Current +20 uA typ., 200 uA max

CHANGE: High Level Input Current... 20 uA typ. with Vih = +2.7V
 TO: High Level Input Current... 20 uA typ., 200 uA max

CHANGE: ALL OTHER INPUT LINES -20 uA typ. with Vil = to .4V
 TO: ALL OTHER INPUT LINES -20 uA typ. 200 uA max

CHANGE: LOW-TO-HIGH TRANSITIONS ... 20 ns typ.
 TO: LOW-TO-HIGH TRANSITIONS ... 12 ns typ.

CHANGE: HIGH-TO-LOW TRANSITIONS ... 24 ns typ.
 TO: HIGH-TO-LOW TRANSITIONS ... 15 ns typ.

On page 6-9, Table 6-3:

Change the TOT QTY of C1,

FROM: 11
 TO: 10

CHANGE: C9|CAP, CER, 0.22 UF +/-20%, 50V|519157|51406
 |RPE1125U224M50V|REF

TO: C9|CAP, TA, 1 UF +/-20%, 35V |161919|56289
 |196D010X00356 |1

CHANGE: R9|RES, DEP. CAR, 3K +/-5%, 1/4W |441378|80031
 |CR251-4-5P3K|1

TO: R9|RES, DEP. CAR, 0.5 +/-5%, 1/4W|381954|80031
 |CR251-4-5POR5E|1

CHANGE: U1|IC, C-MOS, OCTAL BUS TRANSCEIVER
 |535906|36665|74C245AC|3|1

TO: U1|IC, CMOS, OCTAL BUS XCVR W/TRI-STATE
 |674214|01295|SN74ALS245N|3|1

CHANGE: U3|IC, C-MOS, OCTAL BUS TRANSCEIVER
 |535906|36665|74C245AC|3|REF

TO: U3|IC, CMOS, OCTAL BUS XCVR W/TRI-STATE
 |674214|01295|SN74ALS245N|3|REF

CHANGE: U5|IC, C-MOS, OCTAL BUS TRANSCEIVER
 |535906|36665|74C245AC|3|REF

TO: U5|IC, CMOS, OCTAL BUS XCVR W/TRI-STATE
 |674214|01295|SN74ALS245N|3|REF

On pages 7-4 and 7-5/7-6, Figure 7-2:

Change the value of C9,

FROM: .22 uf

TO: 1 uf

Change the value of R9,

FROM: 3K

TO: .5

CHANGE #7 - 17455

Rev.-F, A11 Processor PCB Assembly (9000A-Z80-4071T)

On page 6-3, Table 6-1, change the FLUKE STOCK NO. for W1,

FROM: 581827

TO: 581819

On page 6-4, Figure 6-1, change W1 as shown in Figure 3.

On pages 6-5 and 6-6, Table 6-2:

Change the TOT QTY of R2,

FROM: 2

TO: 1

DELETE: R3|.....

CHANGE: R4|RES, DEP. CAR, 1 +/-5%, 1/4W |357665|80031|CR251-4-5P1E|1

TO: R4|RES, DEP. CAR, 39 +/-5%, 1/4W|340836|80031|CR251-4-5P39E|1

CHANGE: U11|IC, TTL, QUAD, 2-INPUT NAND GATE

|654210|12040|DM74LS00N|1|1

TO: U11|IC, FTTL, QUAD, 2-INPUT NAND GATE

|654640|07263|74F00PC|1|1

On page 6-7, Figure 6-2, delete R3.

On page 7-2, Figure 7-1, change the value of R4,

FROM: 1

TO: 39

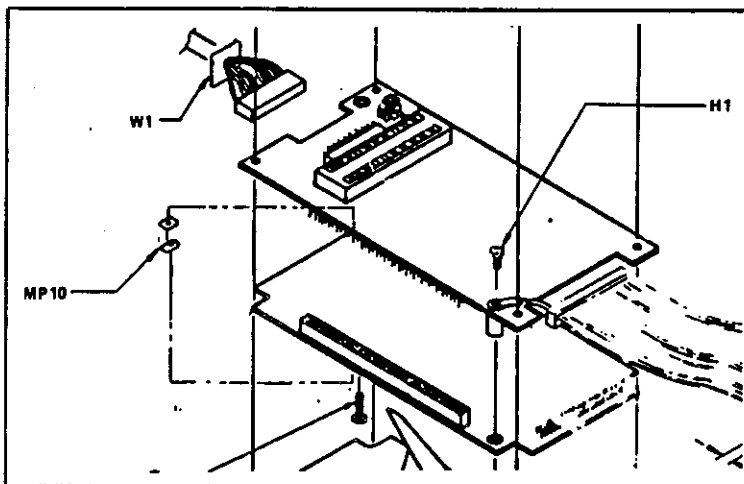


Figure 3.

ERRATA #1

On page 6-3, Table 6-1, make the following changes:

CHANGE: H1|.....|185918|89536|185918|2
 TO: H1|.....|185918|COMMERCIAL |2

CHANGE: H2|.....|152132|89536|152132|4
 TO: H2|.....|152132|COMMERICAL |4

ERRATA #2

On page 6-5 and 6-6, Table 6-2, make the following changes:

CHANGE: J1|.....|512590|89536|512590 |1
 TO: J1|.....|512590|00779|1-87230-3|1

CHANGE: MP1|.....|602284|89536|602284 |3
 TO: MP1|.....|602284|9W423|9536B-B-0440|3

CHANGE: U1|.....|574905|89536|574905 |1| 11
 TO: U1|.....|574905|91637|MDP1603-202J|1| 11

CHANGE: U8|.....|412916|89536|412916 |1| 11
 TO: U8|.....|412916|80294|4608H-101-472|1| 11

ERRATA #3

On page 6-9, Table 6-3 change the following:

FROM: VR1|.....|452771|89536|452771 |1| 11
 TO: VR1|.....|452771|18786|MPS5010GN|1| 11

